

THE FRANKLIN FURNITURE INSTITUTE

Presented by
Bill Martin
Director

Franklin Furniture Institute
Mississippi State University

Presented at the
2013 Manufacturing Summit
March 27, 2013

Mississippi State
University

FRANKLIN FURNITURE INSTITUTE

 College of
Forest Resources
Forest and Wildlife Research Center



Mission

Sustain and enhance the competitiveness of the furniture and home furnishings industry in Mississippi and the region

Reporting

Forest Products Department/Forest and Wildlife Research Center

Structure

Collaborative effort between Colleges of Engineering, Forest Resources, Business, and Architecture, Art & Design

Services Provided

- Supervisory Management Training Program



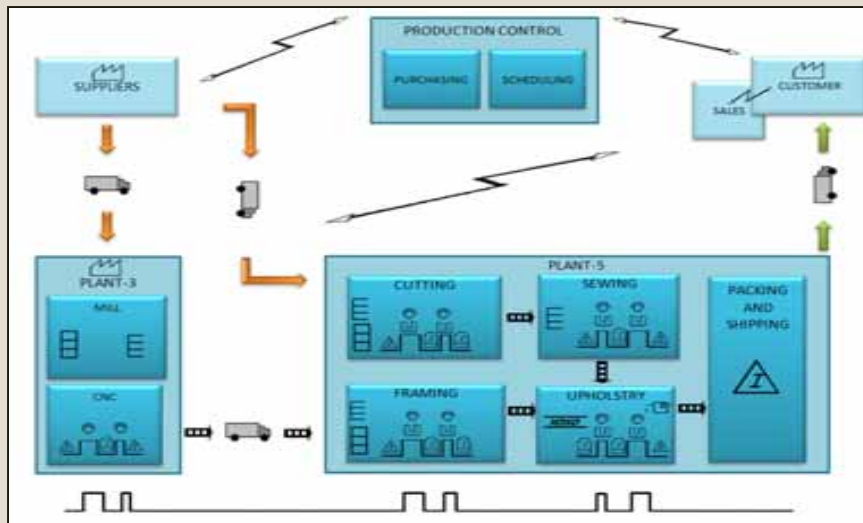
- Export Resource Service

Services Provided

- Furniture, Fabric, Cushion and Frame Testing

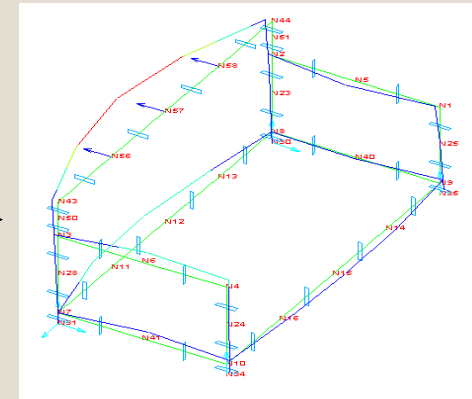
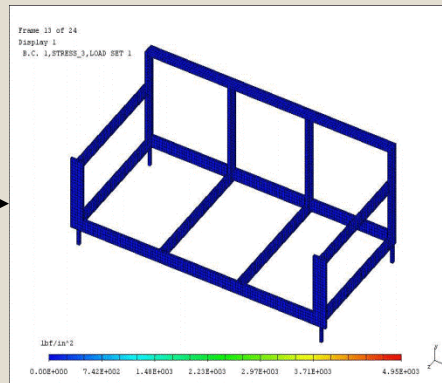
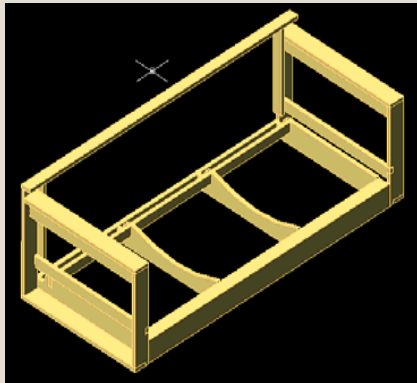


- Plant Layout and Value Stream Mapping



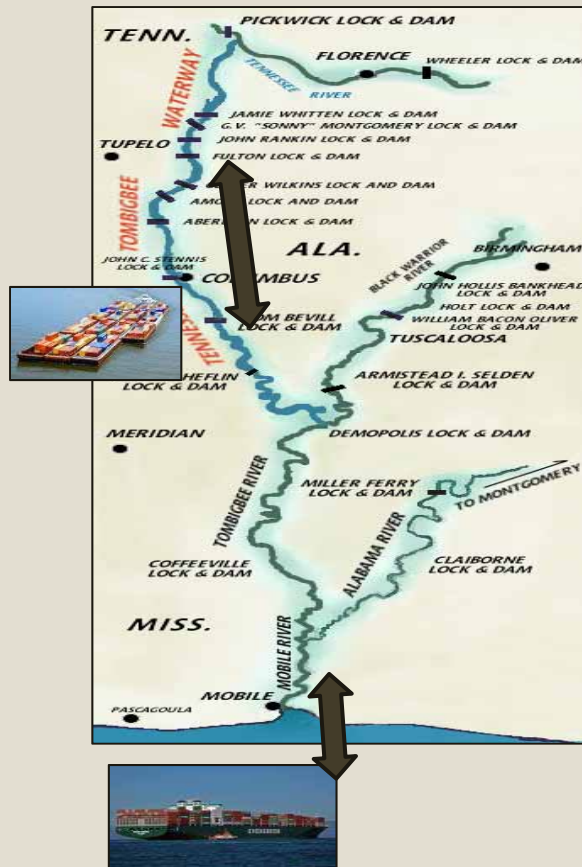
Services Provided

- Product design and modeling

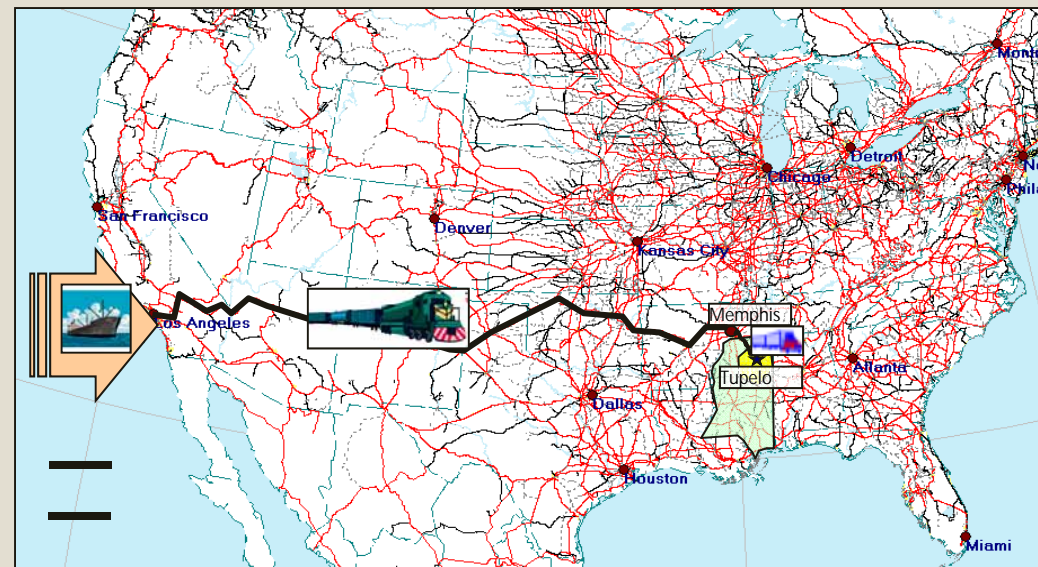


Services Provided

- Research on Container on Barge Logistics



- Logistics and Supply Chain Support



Services Provided

- Educational Seminars, Webinars, Workshops

Manufacturing Conference 2012



Re-shoring Conference 2012

Other Services Provided

- Business Development & Strategic Planning
- Lean and 6 Sigma Training through CAVS-E
- Logo and Website Development through CAAD
- EFEC Registration (Environmental Sustainability Program)
- MBA Project Teams through the College of Business
- Student Scholarships (AHFA, SEHFA, Celia Moh)
- Customer/Employee Satisfaction Surveys
- On Line Mississippi Made Products Catalog
- Grant Writing

Franklin Furniture Institute's Impact to Industry

Performance Measures	2005	2006	2007	2008	2009	2010	2011	2012	TOTAL
Total Number of Projects/Special Activities	20	24	22	34	30	32	37	59	258
Total Number of Companies Impacted	24	16	22	28	14	20	25	46	195
Number Counties Impacted (Site Location)	11	9	10	10	8	8	7	11	74
Total Number of Employees Impacted	7,768	5,441	8,000	11,175	5,372	3,902	8,723	11,697	62,078
Special Activities									
Client & Industry Research Projects				2	4	4	5	5	20
Webinars/Workshops/Seminars				6	12	8	17	10	53
Scholarship Assistance Lean Cert & Student Assistance				7			8	4	19
Impact - \$ Savings to Industry					6,700,000	1,200,000	1,000,000	Est 1,100,000	9,900,000

External Partners

- American Home Furnishings Alliance
- Mississippi Manufacturers Association
- Mississippi Development Authority
- Mississippi Export Assistance Ctr., U.S. Dept of Commerce
- Mississippi Economic Development Council
- Mississippi World Trade Center
- Mississippi Furniture Association
- National Home Furnishings Association
- North Carolina Department of Commerce
- Tupelo Furniture Market
- Community Development Foundation of Lee County

Thank You

Questions?

Contact:

Bill Martin

Director

662.325.6787

wmartin@cfr.msstate.edu

www.ffi.msstate.edu